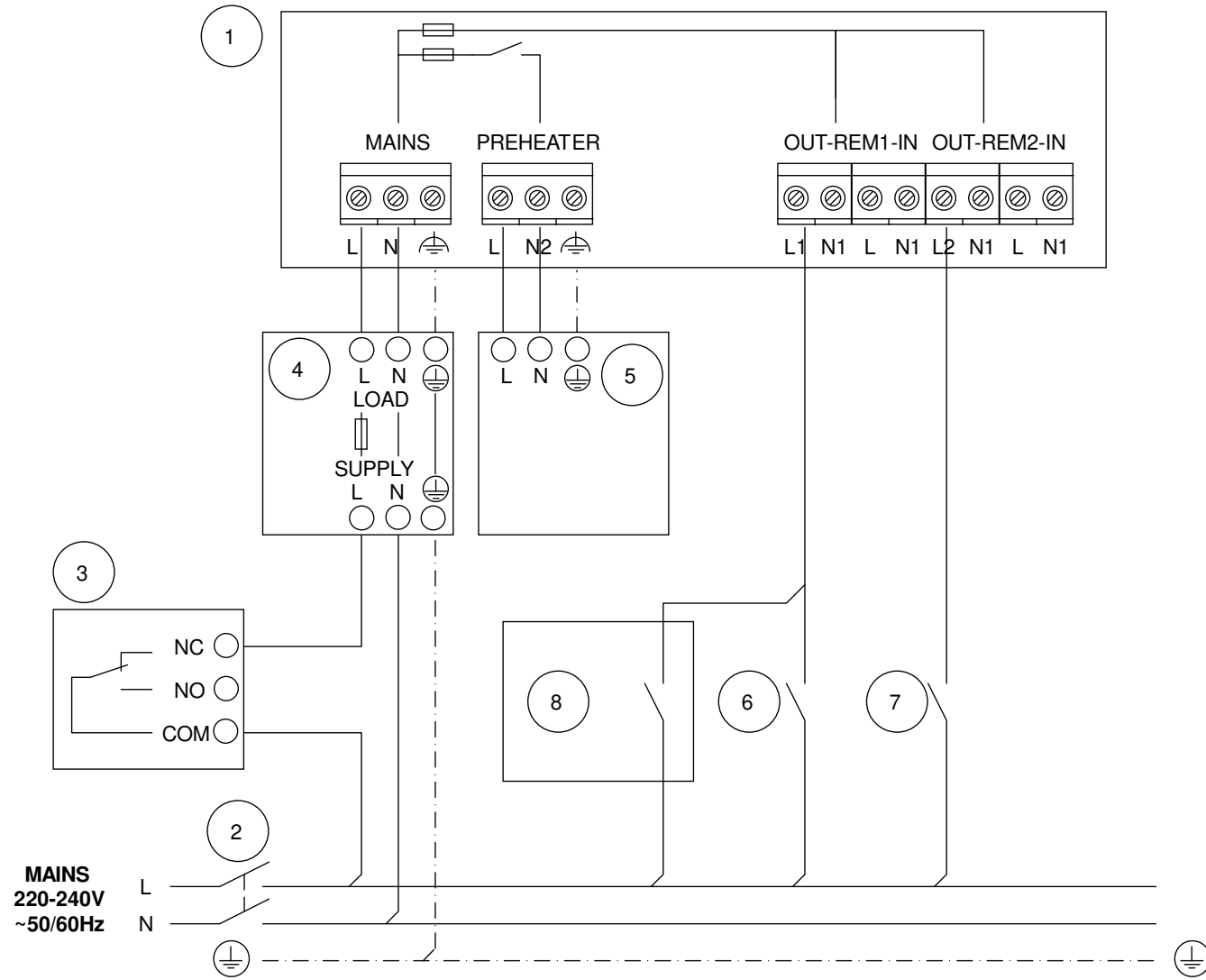



This drawing is property of VORTICE ELETTROSOCIAL SPA. Without the written permission of VORTICE ELETTROSOCIAL SPA the drawing may not be used to construct the object represented, nor be shown to third parties or otherwise reproduced. VORTICE ELETTROSOCIAL S.p.A. will protect exclusivity rights under the law.



- 1 PIV unit
- 2 Main bipolar switch
- 3 SMOKE / CO detector with NO/NC contact (for reference only)
- 4 FUSE box
- 5 Preheater
- 6 Boost Remote Switch
- 7 Preheater Remote Switch
- 8 External sensors C Temp, C Smoke, C HCS (for reference only)

**MAINS**  
220-240V  
~50/60Hz

	Prima emiss. <b>08/09/2022</b>	Emiss. attuale <b>13/12/2022</b>	Dis. <b>RS/UT</b>
	<b>DESCRIZIONE</b> <b>NINFO n. 782/22</b>		
		<b>VORT PIV QUADRO / WALL</b>	
Questo DISEGNO annulla e sostituisce tutti quelli precedentemente emessi		DISEGNO n.	<b>E960599B</b>
		CODICE n.	<b>9.993.000.599</b>